

SLK20 USB Fingerprint Reader



Key Features:

- FBI PIV and Mobile ID certification FAP20
- Selectable 500, 750, or 1000 dpi output image
- Large image capture area: 15.24 x 20.32 mm
- Durable glass touch surface
- Rejects spoof fingerprints
- Fast capture
- USB2.0 High Speed
- Multicolor (white, green, red) LED bar for status indication.
- Compact size
- Sealed against water and dust. IP64 rating
- Ambient light rejection. Sunlight operation
- Low Power Idle Mode
- -20° to 55°C operating temperature range

The new SLK20 is a touch-based optical fingerprint reader. It combines an innovative optical design, a 2 megapixel image sensor, and an ARM9 processor to create the ultimate biometric peripheral. It has a superior ability to capture large, high quality fingerprint images and to reject spoof fingerprints in hardware. The Silk 20 Reader includes license to the award-winning Innovatrics IDKit SDK.

Security features include: encrypted image data, encrypted template data, signed template, ability to embed and verify license keys.

The SLK20 is ideal for use in time&attendance, logical access, e-commerce, and other user identification applications.

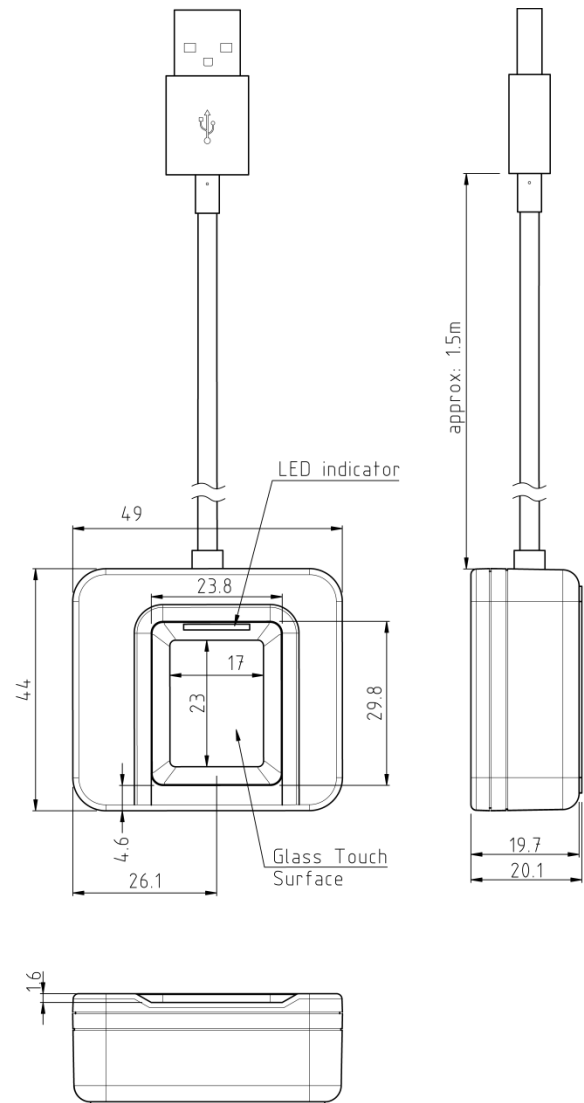
Hardware Specifications:

Technology	Optical
Image Capture Area	15.24 x 20.32 mm (FAP20)
Touch Surface Area	16.5 x 23 mm
Output Image Size and Pixel Resolution	300x400 pixels @500 dpi (native), 450x600 pixels @750 dpi (native), or 600x800 pixels @1000 dpi (interpolated)
Image Bit Depth	8-bit grayscale
Interface	USB 2.0 High Speed
Operating Systems	Windows 10; Linux; Android
Power Requirements	5V, supplied by USB 200 mA scanning, 100 mA idle (waiting for finger)
Operating Environment	-20 to +55° C; 0-90% r.h. non-condensing
Certifications	FCC, CE, RoHS, PIV

SDK Specifications:

Matching Technology	Innovatrics IDKit
Template Size	1-4 KB (IDKit standard) 1568 B (ISO 19794-2)
Matching Speed (on PC)	Extraction: 0.2 secs Match: 5000/sec
1-n	1:10,000 on PC (std.) 1:50,000 on PC (extra fee)
Template Format	Innovatrics IDKit or ISO 19794-2
Special Features	NFIQ score WSQ compression ISO template

Mechanical Specification (mm):



Part Numbering:

Part Number	Type	Interface	PIV?	Matching	Size (mm)
SLK20-RG0	Desktop Peripheral	USB	Yes	On PC	44 (l) x 49(w) x 20.1 (th)
SLK20-MG0	OEM Module	USB	Yes	On PC	36.5 (l) x 44.5(w) x 16 (th)
SLK20-ME0	OEM Module - Embedded	USB and UART	Yes	In Hardware	36.5 (l) x 44.5(w) x 16 (th)